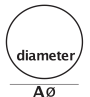
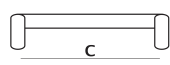

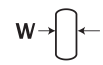
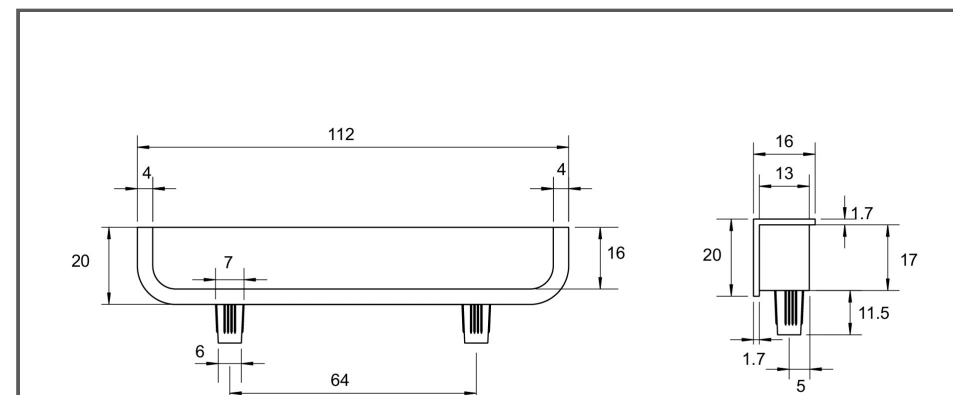
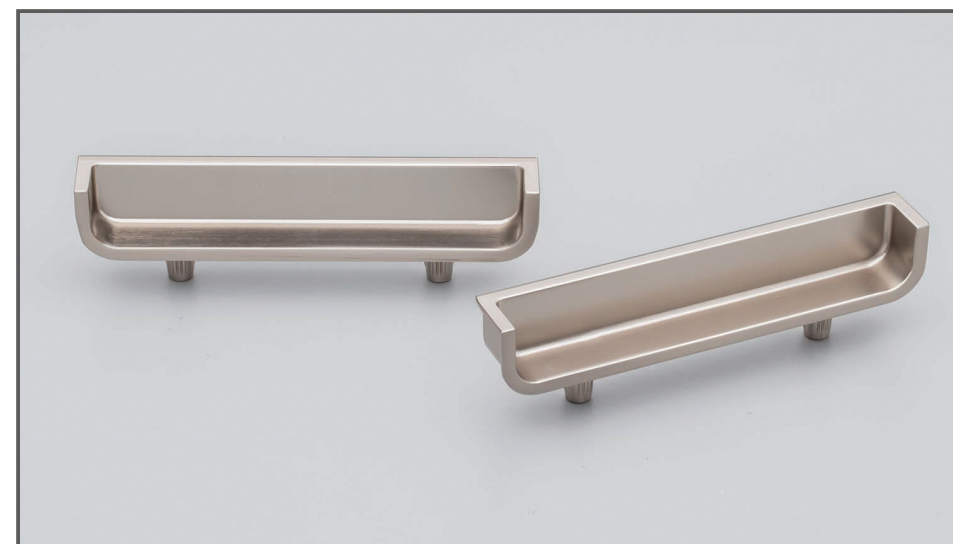


Sydney Head Office Phone: (02) 9542 4991
 Sydney Head Office Fax: (02) 9542 4662
 Brisbane 0400 494 368
 Melbourne 0409 578 885
 Auckland: 021 964 600
 Email: sales@kethy.com

Material:	Die-cast Zinc		
Article Number:	L818 / reference C / colour		
			
A	C	P	W
112	64	0	0
Colours available:	Matt Nickel (MN)		



Note: Dowel hole size recommended at approximately 7mm however, test prior to production as density of boad may vary.

This pull is similar to L820 but with different cutout. Please check actual product before machining panels